

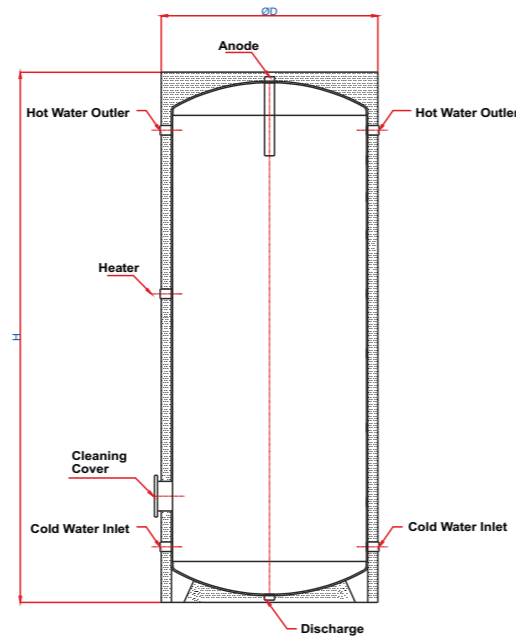
Accumulation Tanks & Electrical Water Heaters

Unmak UAT series accumulation tanks are designed for storage purpose of hot water from central heating system, floor heating system, geothermal or solar energy heating system by keeping the heat loss in minimum. Heating element installation is available for water heating purpose.

Optional polyurethane isolation, electrostatic coating (2500, 3000, 4000, 5000Lt), impertex fabric outer cover

- Vertical type and compact design.
- Hygienic enamelled inner tank.
- Cathodic protection with magnesium anode.
- Maximum operating pressure 10 bar.

TECHNICAL SPECIFICATIONS OF ACCUMULATION TANK										
MODEL		OAT-100	OAT-160	OAT-200	OAT-325	OAT-500	OAT-750	OAT-1000	OAT-1500	OAT-2000
WATER VOLUME	lt	100	160	200	325	500	750	1000	1500	2000
BODY DIAMETER	mm	470	540	630	720	930	1050	1200		
TOTAL HEIGHT	mm	1170	1350	1610	1790	1950	2000	2150	2390	
HEATER MUFF	R"	2"								
WATER IN/OUT	R"	3/4"			1"			1 1/2"		
CLEANING MUFF	R"	4"				5"				
MAGNESIUM ANODE	R"	1 1/2"								
WEIGHT	kg	52	63	74	92	132	192	226	300	350
ISOLATION TYPE		Polyurethane + Outerwear / Special Insulation Sponge + Outerwear								



“Alternative solutions for hot water supply”

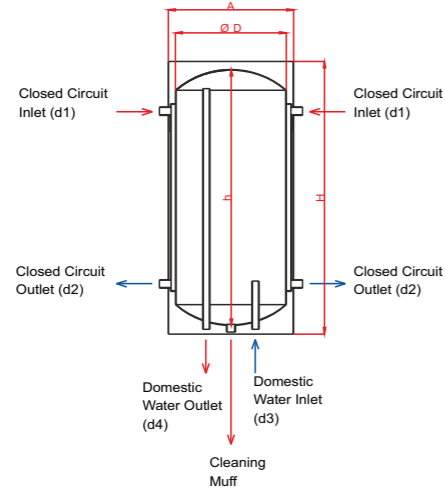


Hot Water Storage Tanks



Water Heater And Serpentine Type Instant Water Heater

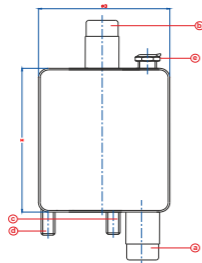
Unmak UKB series water heaters are designed for hot water supply where central heating systems, installed. The product heats both its location and supplies domestic hot water.



- Substitutes radiators in bathroom and kitchen.
- Availability of combination with a separate installation in bathroom.
- Instantaneous water heater supply.
- Economical hot water supply.
- Termometer equipped
- Maximum operating pressure 6 bar.

DIMENSIONS		
MODEL- SERI	UKB	60 LT
BODY DIAMETER	Ø D (mm)	330
BODY HEIGHT	h (mm)	750
TOTAL HEIGHT	H (mm)	850
WIDTH	A (mm)	360
LENGHT	(mm)	300
CLOSED CIRCUIT INLET	Ød1	3/4"
CLOSED CIRCUIT OUTLET	Ød2	3/4"
DOMESTIC WATER INLET	Ød3	1/2"
DOMESTIC WATER OUTLET	Ød4	1/2"

ÜNMAK ÜASI series instantaneous water heaters supply domestic hot water by installation on boiler's outlet.



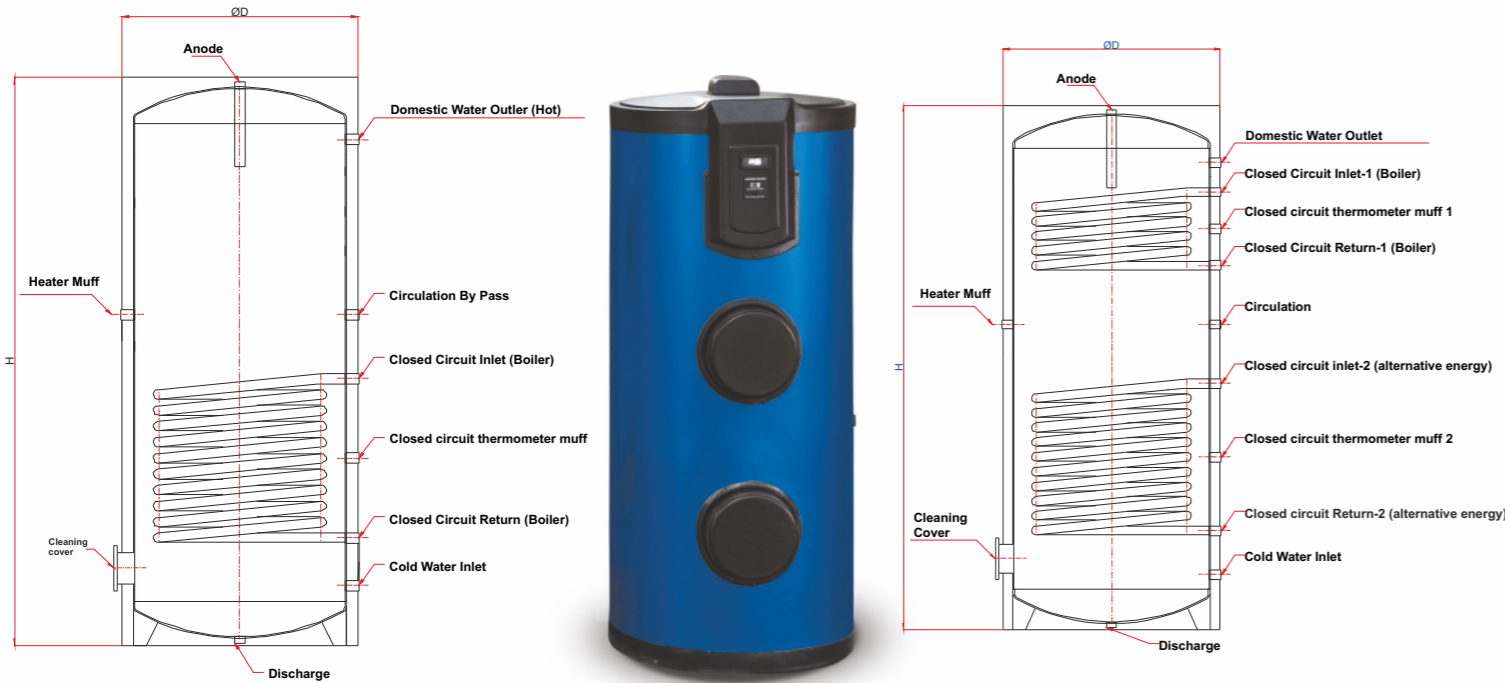
- a- Closed circuit inlet
- b- Closed circuit outlet
- c- Domestic water inlet
- d- Domestic water outlet
- e- Air purge

TECHNICAL SPECIFICATIONS			
MODEL- SERIES		ÜASI/25-45	ÜASI/60-100
Capacity	lt/h	450	600
	Kcal/h	16.000	24.000
Body Diameter (ØD)	mm	150	220
Total Height (H)	mm	220	
Closed Circuit Inlet (a)	R"	1"	1 1/2"
Closed Circuit Outlet (b)	R"	1"	1 1/2"
Domestic Water Inlet (c)	R"	1/2"	
Domestic Water Outlet (d)	R"	1/2"	
Air Purge Muff (e)	R"	1/2"	
Serpentine Heating Surface	m ²	0,29	0,52
Closed Circuit Working Pressure	bar	3	
Domestic Water Working Pressure	bar	8	

“Feel the heat...”



Water Heater With Single and Double Serpentine



MODEL	ÜEB/T-100	ÜEB/T-160	ÜEB/T-200	ÜEB/T-325	ÜEB/T-500	ÜEB/T-750	ÜEB/T-1000	ÜEB/T-1500	ÜEB/T-2000	ÜEB/T-2500	ÜEB/T-3000	
WATER VOLUME	100	160	200	325	500	750	1000	1500	2000	2500	3000	
BODY DIAMETER	470	540	630	720	930	1050	1200	1200	1390			
TOTAL HEIGHT	1170	1350	1610	1790	1950	2000	2150	2390	2690	2830		
THERMOSTAT MUFF	R" 1/2"											
HEATER MUFF	R" 2"											
DHW IN/OUT	R" 3/4"			R" 1"		R" 1 1/4"						
CH IN/OUT	R" 1"				R" 1 1/4"							
CIRCULATION MUFF	R" 3/4"			R" 1"		R" 1 1/4"						
CLEANING MUFF	R" 4"				R" 5"							
MAGNESIUM ANODE	R" 1 1/4"											
SURFACE AREA	m²	0,64	0,64	0,95	1,27	1,91	2,41	3,21	4,01	4,82	5,62	7,23
WEIGHT	kg	55	74	90	115	168	256	285	412	490	583	625
ISOLATION TYPE	Polyurethane + Outerwear / Special Insulation Sponge + Outerwear											

Total Volume	It	100		160		200		325		500		750		1000		1500		2000		2500		3000	
		lt/h	kw	lt/h	kw	lt/h	kw	lt/h	kw	lt/h	kw	lt/h	kw	lt/h	kw	lt/h	kw	lt/h	kw	lt/h	kw	lt/h	kw
Continuous Capacity: Cold Water Input 10 °C - Hot Water Output 45 °C, (Heater Fluid 80 °C)																							
Closed Circuit Water Temperature	80°C	530	21,6	1150	46,8	1310	53,3	1630	66,3	1850	75,3	2230	90,7	2230	90,7	2630	107,0	2950	120,0	4260	173,3	5000	203,4
Continuous Capacity: Cold Water Input 10 °C - Hot Water Output 60 °C, (Heater Fluid 80 °C)																							
Closed Circuit Water Temperature	80°C	320	18,6	640	37,2	880	51,1	960	55,8	1110	64,5	1390	80,8	1390	80,8	1630	94,7	1830	106,3	2940	170,8	3340	194,1
Closed Circuit Volume Flow Rate	m³/h	1,8	2,5	4	6	6,3	7	7	7,5	8	10	11,2											
Serpentine Resistance	mSS	0,4	0,5	0,8	1,05	2,0	3,3	3,3	3,5	4,8	6,8	8,3											

Unmak ÜEB series water heaters are designed for villas, collective houses, hotels, business centers, factories and similar areas where needed hot water and heated with central heating systems. Instantaneous hot water supply available.

- Vertical type and compact design.
- Economical and long life service.
- Stylish, aesthetic with modern design.
- High efficiency.
- Cathodic protection with magnesium anode.

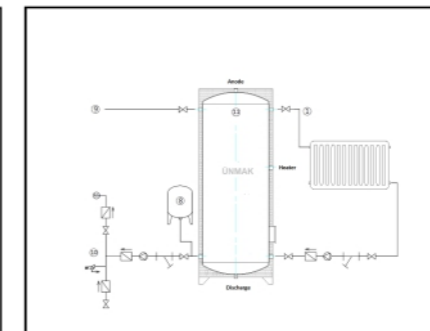
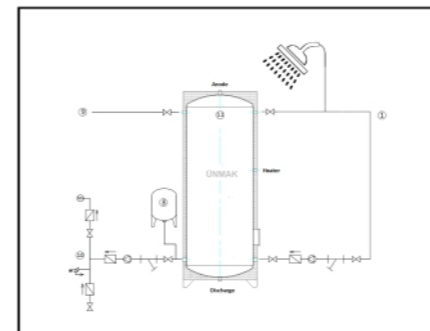
- Thermometer and anode indicator.
- Heater (optional)
- Operating pressure 10 bar.
- Polyurethane isolation (optional)
- optional polyurethane isolation and electrostatic coating (2500 and 3000 Lt) impertex fabric outer cover

MODEL	ÜEB/Ç-160	ÜEB/Ç-200	ÜEB/Ç-325	ÜEB/Ç-500	ÜEB/Ç-750	ÜEB/Ç-1000	ÜEB/Ç-1500	ÜEB/Ç-2000	ÜEB/Ç-2500	ÜEB/Ç-3000		
WATER VOLUME	160	200	325	500	750	1000	1500	2000	2500	3000		
BODY DIAMETER	540		630	720	930		1050	1200	1200	1390		
TOTAL HEIGHT	1350	1610	1790	1950	2000	2150	2390		2690	2830		
THERMOSTAT MUFF	R" 1/2"											
HEATER MUFF	R" 2"											
DHW IN/OUT	R" 3/4"			R" 1"		R" 1 1/4"						
CH-1 IN/OUT	R" 1"				R" 1 1/4"							
CH-2 IN/OUT	R" 1"				R" 1 1/4"							
CIRCULATION MUFF	R" 3/4"			R" 1"		R" 1 1/4"						
CLEANING MUFF	R" 4"						R" 5"					
MAGNESIUM ANODE	R" 1 1/4"											
SURFACE AREA	TOP	m²	0,64	0,95	1,27	1,91	2,41	3,21	4,01	4,82	5,62	7,23
	LOWER	m²	0,21	0,32	0,64	1,27	1,61	1,61	2,41	2,41	4,01	4,01
WEIGHT	kg	85	104	133	196	284	315	458	540	642	684	
ISOLATION TYPE	Polyurethane + Outerwear / Special Insulation Sponge + Outerwear											

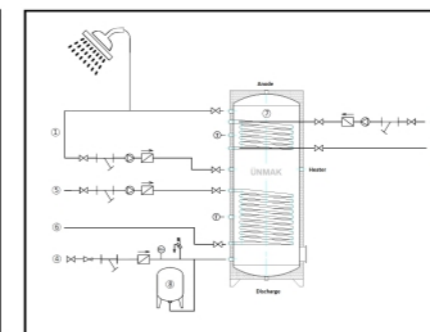
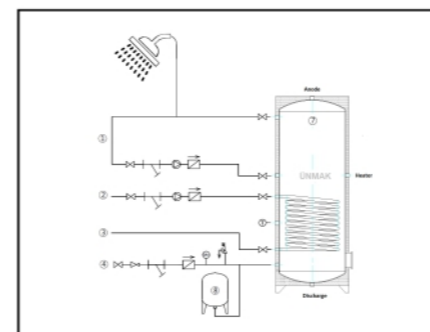
Total Volume	It	160		200		325		500		750		1000		1500		2000		2500		3000	
		lt/h	kw	lt/h	kw	lt/h	kw	lt/h	kw	lt/h	kw	lt/h	kw	lt/h	kw	lt/h	kw	lt/h	kw	lt/h	kw
Continuous Capacity: Cold Water Input 10 °C - Hot Water Output 45 °C, (Heater Fluid 80 °C)																					
Closed Circuit Water Temperature	80°C	530	21,6	730	29,7	810	32,9	1360	55,3	1450	59,0	1450	59,0	1540	62,6	1770	72,0	2550	103,7	2990	121,6
Continuous Capacity: Cold Water Input 10 °C - Hot Water Output 60 °C, (Heater Fluid 80 °C)																					
Closed Circuit Water Temperature	80°C	330	19,2	380	22,1	710	41,3	770	44,7	930	54,0	930	54,0	980	56,9	1120	65,1	1800	104,6	2050	119,1
Closed Circuit Volume Flow Rate	m³/h	1,8	2	3	4	5	5	6	6	7,5	9,1										
Serpentine Resistance	mSS	0,14	0,2	0,5	0,8	1,1	1,1	1,9	2,2	3,6	4										

Central Water Heater

Unmak UMB series central water heaters are designed for use high buildings, private villas, sports complexes, hotels, business centres, hospitals, factories etc. where the central heating system, floor heating system or geothermal and solar heating system installed. Serpantined and outer heated versions available.



- ⊗ Circulation Pump
- ⊗ Valve
- ⊗ Filter
- ⊗ Pressure Reducer
- ⊗ Safety Valve
- ⊗ Manometer
- ⊗ Checkvalve
- ⊗ Thermometer



- 1 Circulation
- 2 Inlet from Heating System
- 3 Return to Heating system
- 4 Cold Water Inlet
- 5 Closed Circuit Inlet -2 (Alternative Energy)
- 6 Closed Circuit Return -2 (Alternative Energy)
- 7 Hot Water Storage Tank
- 8 Closed Expansion Tank
- 9 Inlet from Heat Exchanger or Boiler
- 10 Return to Heat Exchanger or Boiler