



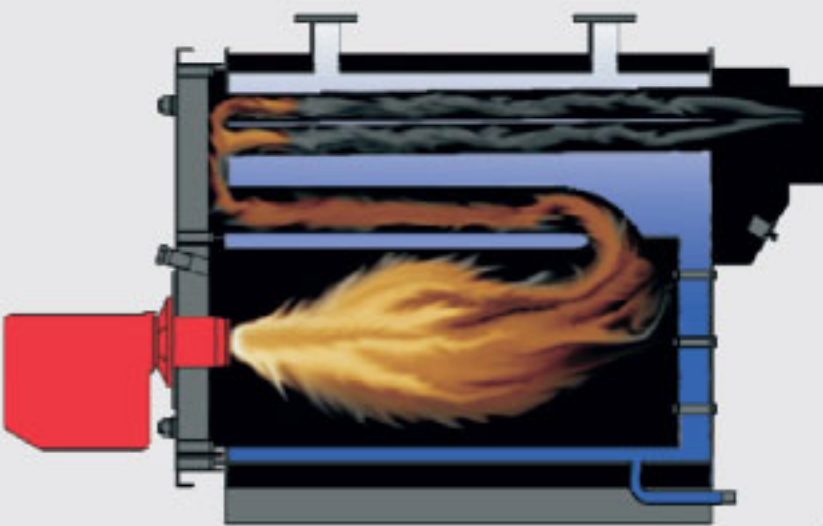
## ÜGS/3G series Central Heating Boiler

Ünmak ÜGS/3G is a steel boiler with three pass, designed to burn natural gas, lpg, fuel-oil and diesel. It is produced in various capacities with high efficiency. Thanks to the superior features provides economical heating.

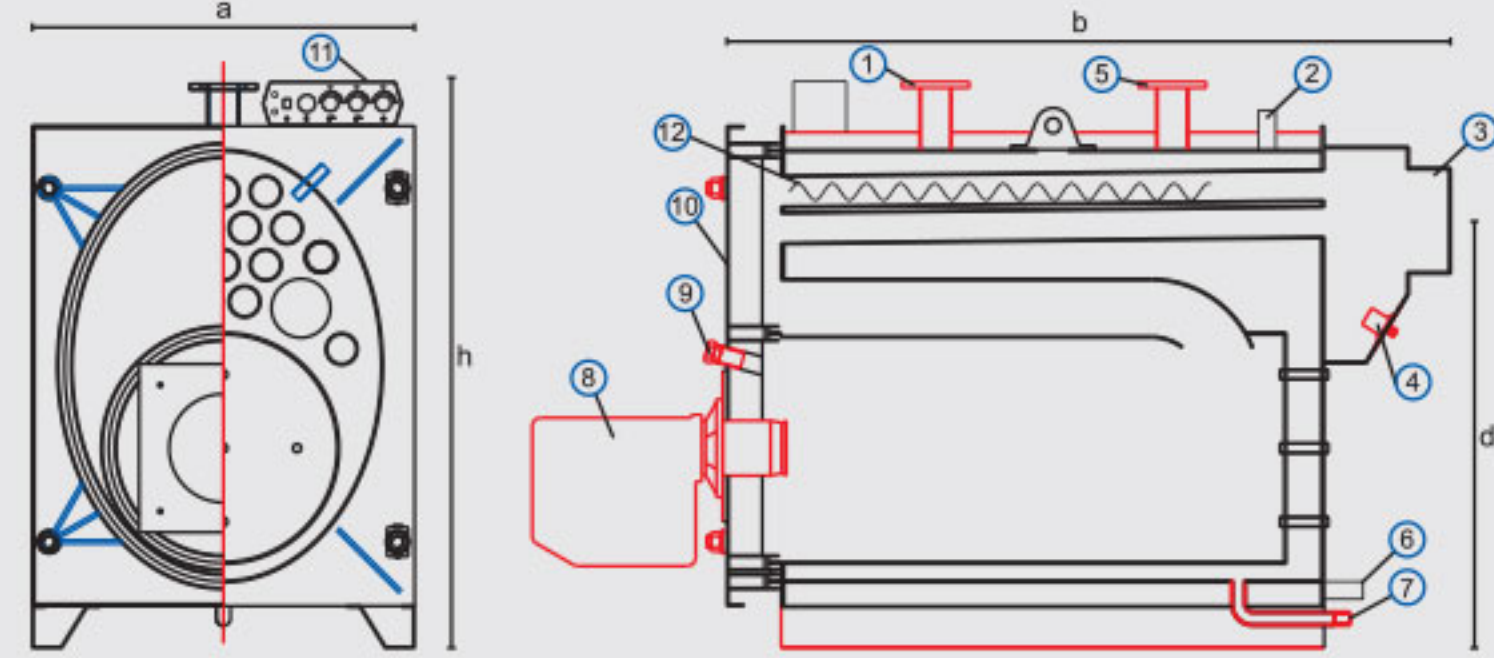


- Ünmak ÜGS/3G series central heating boilers comply with TS EN 303-1-2 and TS EN 303-1-3 standarts. Because of the ellipse design and three pass feature provides high efficiency.
- Because of the ellipse shape of the boiler, it is easy to install into the narrow places.
- Control board provide easy control of the boiler.
- Low exhaust emissions values.

- The boiler has isolation of glass wool, outer sheet metal covers are electrostatic powder paint and easy to mount.
- Ecopanel (optional) provides optimum efficiency and low fuel consumption.
- Ünmak ÜGS/3G type boilers 2 have quarranty against production defects.
- Ünmak ÜGS/3G type boilers 2 have quarranty against production defects.



- 1- Boiler outlet
- 2- Safety outlet
- 3- Chimney
- 4- Explosion cover
- 5- Boiler inlet
- 6- Safety return
- 7- Water Filling - Discharge
- 8- Burner
- 9- Observing glass
- 10- Door
- 11- Control board
- 12- Turbulator



### TECHNICAL SPESIFICATION

MODEL-SERIES	ÜGS/3G	80	100	125	150	200	250	300	350	400	500	600	700	800	900	1000			
Heat Output	kW	93	116	145	174	233	291	349	407	465	582	698	814	930	1047	1163			
	kcal/h	80.000	100.000	125.000	150.000	200.000	250.000	300.000	350.000	400.000	500.000	600.000	700.000	800.000	900.000	1.000.000			
Efficiency	%	92-96																	
Exhaust Gas Temperature	Full Load	189		192		189		190		186		187		186		191		189	
	Partial Load	129		132		129		130		126		127		126		131		129	
Co2 amount	(%)	10-11																	
Counter pressure	mbar	0,7	1	1,1	0,9	1,5	1,6	1,4	2	2,2	2,1	2,8	2,6	2,8	2,9	3			
Burning Chamber Diameter	mm	310	410		480		550		600		700		750		800				
Burning Chamber Length	mm	600	930	1130		1150		1230		1480		1680		1830		2130		2230	
Volume Boiler Chamber	dm <sup>3</sup>	45	123	149	204	208	292		351	418	475	704	762	941	1120				
Maximum Operating Pressure	bar	4-5-6-8																	
Test Pressure	bar	6-7,5-9-12																	
Operating Temperature	°C	55-90																	
Boiler Weight	kg	335	435	475	530	570	725	770	900	1010	1215	1505	1755	2035	2330	2500			
Boiler Water Volume	lt	100	220	245	250	260	365	420	560	580	670	715	765	1205	1410	1305			
Dimensions	Width (a)	620	750		785		910		950		1040		1120		1260				
	Leght (b)	1048	1475	1640		1720		1830		1930		2160		2300		2900			
	Chimney Connection Height (d)	905	900	925	990	945	1065	1080	1095	1130		1110	1260	1300	1500	1400			
Total Boiler Height (h)	mm	1110	1245		1305		1470		1490		1540		1725		2000				
Exhaust Gas Connection Diameter	mm	130	200		250		300		400		450		500		600				
Boiler Outlet Inlet	R"	DN 40		DN 50		DN 65		DN 80		DN 100		DN 125		DN 150		DN 200			
Expansion Boiler Outlet	R"	1"		1 1/4"		1 1/4"		1 1/2"		2"		2 1/2"		3"		4"			
Expansion Boiler Inlet	R"	1"		1 1/4"		1 1/4"		1 1/2"		2"		2 1/2"		3"		4"			
Filling - Discharge	R"	1/2"		3/4"		1"		1 1/2"		2"		2 1/2"		3"		4"			

The right to make changes in dimension is reserved.

*"Economical solution in natural gas use"*



➤ ÜGS Series  
Gas and Liquid  
Fuel Steel Boiler



*"Feel the heat..."*



www.unmak.com • export@unmak.com

Org. San. Bölğ. 8 Eylül Mah. Öteyaka Mevkii Anızcaya Yolu üzeri No:51 • Fax: +90 232 469 24 12 Kemalpaşa / İZMİR

ÜNÜSOY  
Sanayi ve Tic. Ltd. Şti.

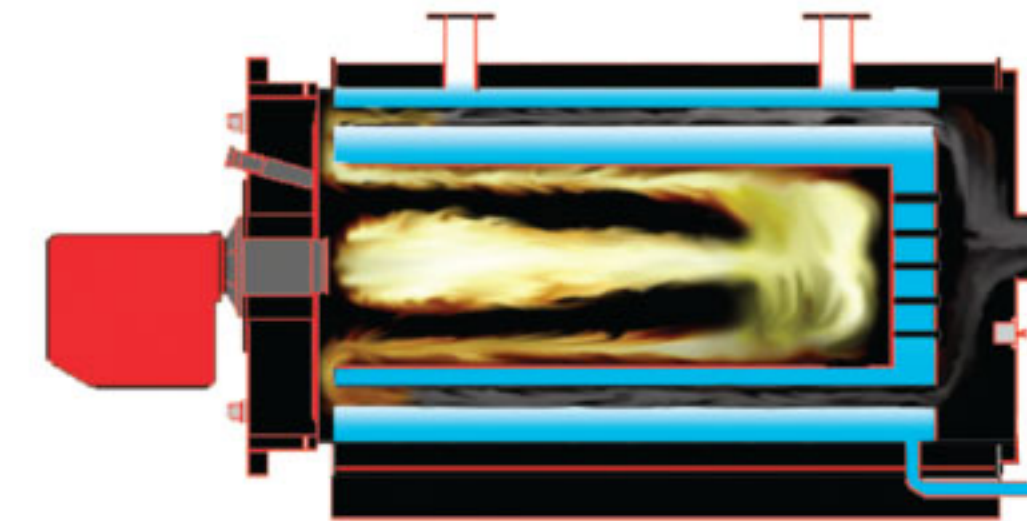




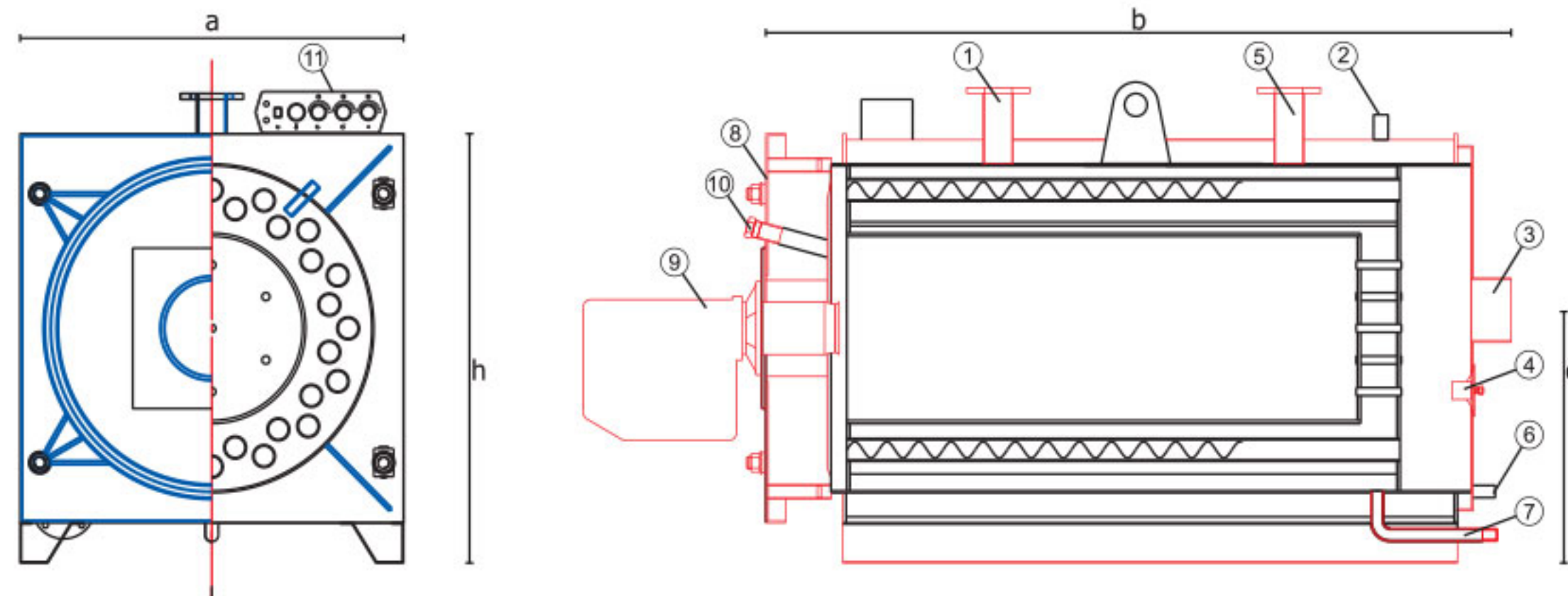
# ÜGS series Central Heating Boiler



Ünmak ÜGS is a steel boiler designed to burn natural gas, lpg, fuel-oil and diesel. It is produced in various capacities with high efficiency. Thanks to the superior features provides economical heating.



- 1- Boiler outlet
- 2- Safety outlet
- 3- Chimney
- 4- Explosion cover
- 5- Boiler inlet
- 6- Safety return
- 7- Water Filling – Discharge
- 8- Door
- 9- Burner
- 10- Observing glass
- 11- Control board



- 60.000-2.000.000 kcal/h capacities with 22 different models.
- With counter pressure and wide burning chamber ,comply with the standarts. By the way complete burning take place.
- Natural gas,LPG, Fuel-Oil and diesel burnners installation.
- Easy control by control board.
- High efficiency from maksimum heat exchange by turbulators placed inside the flue pipes. Low emissions.
- Small dimensions result from counter pressure design, aesthetical, prismatic look.
- Easy installation, maintenance and cleaning.
- Low exhaust emissions values.
- The boiler has isolation of glass wool, outer sheet metal covers are electrostatic powder paint and easy to mount.
- Ecopanel (optional) provides optimum efficiency and low fuel consumption.
- Ünmak ÜGS type boilers have 2 quanranty against production defects.

## TECHNICAL SPECIFICATIONS

MODEL- SERIES	ÜGS	60	80	100	125	150	175	200	250	300	350	400	450	500	600	700	800	900	1000	1250	1500	1750	2000													
Heat Output	kW	70	93	116	145	174	204	233	291	349	407	465	523	582	698	814	930	1047	1163	1454	1745	2035	2326													
	kcal/h	60.000	80.000	100.000	125.000	150.000	175.000	200.000	250.000	300.000	350.000	400.000	450.000	500.000	600.000	700.000	800.000	900.000	1.000.000	1.250.000	1.500.000	1.750.000	2.000.000													
Efficiency	%	90- 94																																		
Exhaust Gas Temperature	Full load	189		192		189		190		188		186		187		186		191		189		192		189												
	Partial load	129		132		129		130		138		126		127		126		131		129		132		129												
Co2 amount	(%)	10- 11																																		
Counter pressure	mbar	0,6	0,7	1	1,1	0,9	1,1	1,5	1,6	1,4	2	2,2	2,1	2,8	2,6	2,8	2,9	3	3,1	3,6	4,2	4,7														
Burning Chamber Diameter	mm	310	400		450		500		550		630		670		700		740		830		850		830		890		1050									
Burning Chamber Length	mm	600	700		950		1100		1300		1400		1500		1600		1650		2200																	
Volume Boiler Chamber	dm3	45	88		119		151		216		309		405		419		493		539		645		865		892		936		892		1190		1368		1904	
Maximum Operating Pressure	bar	4- 5- 6- 8																																		
Test Pressure	bar	6- 7,5- 9- 12																																		
Operating Temperature	°C	55- 90																																		
Boiler Weight	kg	272	296	319	386	441	465	559	642	717	947	1031	1172	1298	1385	1722	2024	2083	2325	2527	3038	3535	4014													
Boiler Water Volume	lt	70	123	109	144	150	137	185	188	232	441	467	519	569	599	685	888	690	1122	1047	1404	2094	2250													
	Width (a)	mm	656	800		850		900		950		1140		1170		1190		1250		1290		1330		1450		1560		2380		2890						
	Leght (b)	mm	1080	1200		1470		1650		1700		1950		2070		2380		2890																		
	Chimney Connection Height (d)	mm	985	1120		1170		1220		1270		1460		1490		1510		1570		1610		1650		1770		1840		1880		2040		2160				
Total Boiler Height (h)	mm	856	990		1040		1090		1140		1330		1360		1380		1440		1480		1520		1640		1750		1910		2030							
Exhaust Gas Connection Diameter	mm	150		200		250		300		350		400		450		500																				
Boiler Outlet Inlet	R"	DN 40		DN 50		DN 65		DN 80		DN 100		DN 125		DN 150		DN 200																				
Expansion Boiler Outlet	R"	1 1/4"																																		
Expansion Boiler Inlet	R"	1 1/2"																																		
Filling - Discharge	R"	1/2"		1"		1 1/4"		1 1/2"		2"		2 1/2"		3"																						