



› Solid Fuel Boiler

- Electronic & Automatic Heat Control
- Solid Fuel
- Four Pass
- High Efficiency

“Feel the heat...”

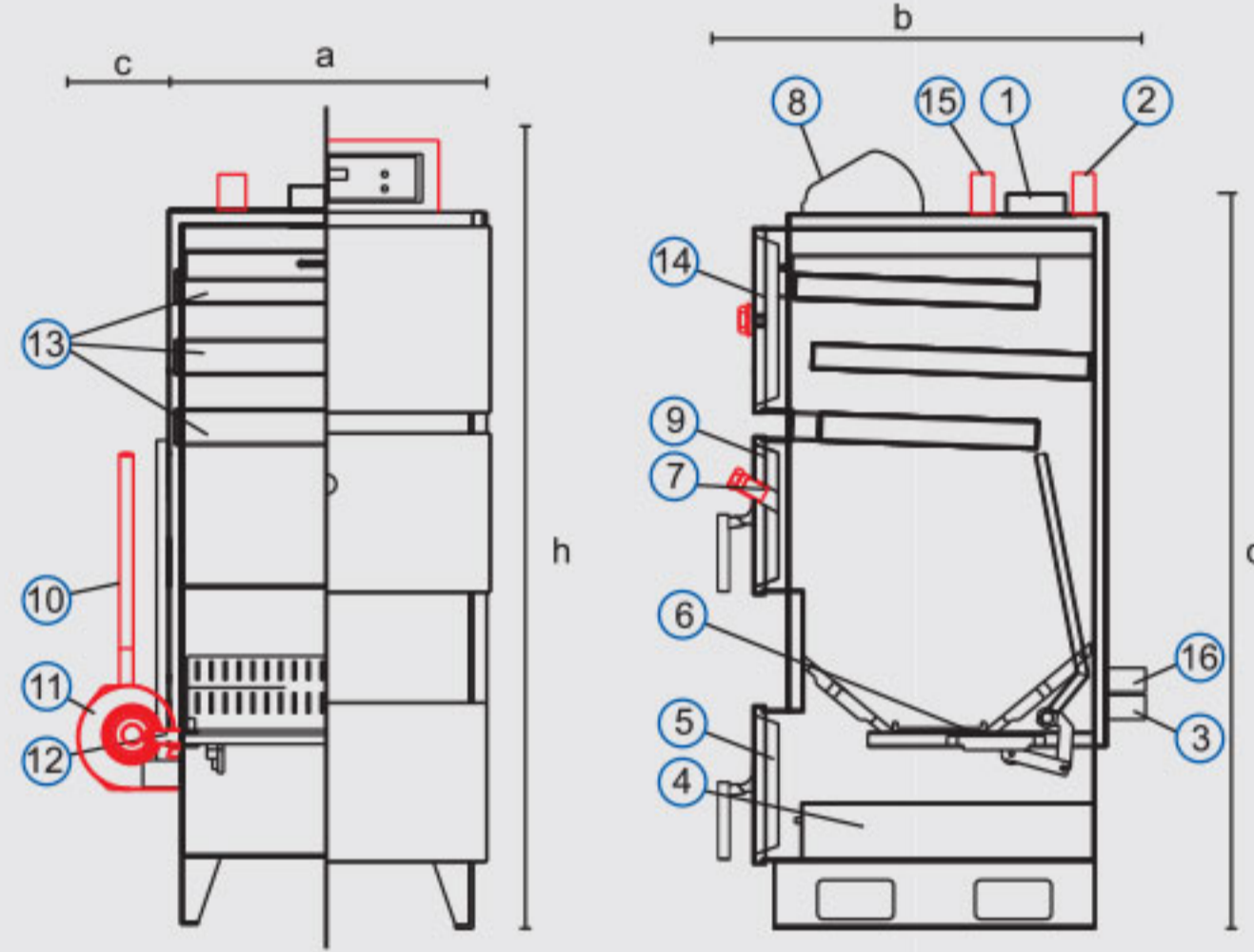




ÜKY/D3 series Solid Fuel Boiler

ÜNMAK ÜKY/D3 series solid fuel boilers are designed to burn coal and wood. Heat exchange slices are used instead of pipes so the duration between two cleanings is longer.

- 1- Chimney
- 2- Boiler outlet
- 3- Boiler inlet
- 4- Ash box
- 5- Ash discharge cover
- 6- Moveable cast iron grill
- 7- Observing glass
- 8- Control board
- 9- Filling cover
- 10- Ash discharge rod
- 11- Fan
- 12- Filling / Discharge
- 13- Heat exchange slices
- 14- Safety outlet
- 15- Safety inlet



TECHNICAL SPECIFICATIONS

MODEL- SERIES	ÜKY/D3	25	40	60	80	100	
Fuel Type		Wood- Coal- Biomass					
Heat Output	kW	29	46	70	93	116	
	kcal/h	25.000	40.000	60.000	80.000	100.000	
Burning Chamber Height	mm	185	310			340	
Burning Chamber Width	mm	355	500			585	
Burning Chamber Length	mm	500	510	660	850		
Burning Chamber Volume	dm ³	32,8	79,1	102,3	131,8	169,1	
Fuel Entry	mm	250x355	265x500			265x585	
Water Volume	lt	70	100	130	200	240	
Boiler Weight	kg	245	340	380	475	580	
Required Draft	mbar	0,25- 0,28	0,28- 0,30	0,30- 0,34	0,32- 0,35	0,34- 0,37	
Min-Max Operating Temperature	°C	45-85					
Return Water Temperature	°C	35					
Maksimum Operating Pressure	bar	3					
Test pressure	bar	5					
Dimensions	Width (a)	mm	485	625			740
	Length (b)	mm	780	800	910	1120	1200
	Fan collection width (c)	mm	200			250	
	Chimney collection height (d)	mm	1275	1435			1490
	Total boiler height (h)	mm	1320	1480			1565
Exhaust (Flue)	mm	130	160	180	220		
Min-Max Flue Temperature	°C	170-210					
Boiler Inlet-Outlet	R"	1"	1 ¼"	1 ½"	2"		
Expansion Tank Outlet-Inlet	R"	1"			1 ½"		
Filling-Discharge	R"	1/2"					
Electrical Connection	V/Hz	230 V- 50 Hz					

The right to make changes in dimension is reserved.

+90 444 35 32

www.unmak.com • export@unmak.com
Org. San. Bölğ. 8 Eylül Mah. Öteyaka Mevkii Anızcıca Yolu üzeri No:51 • Fax: +90 232 469 24 12 Kemalpaşa / İZMİR

ÜNLÜSOY
Sanayi ve Tic. Ltd. Şti.