

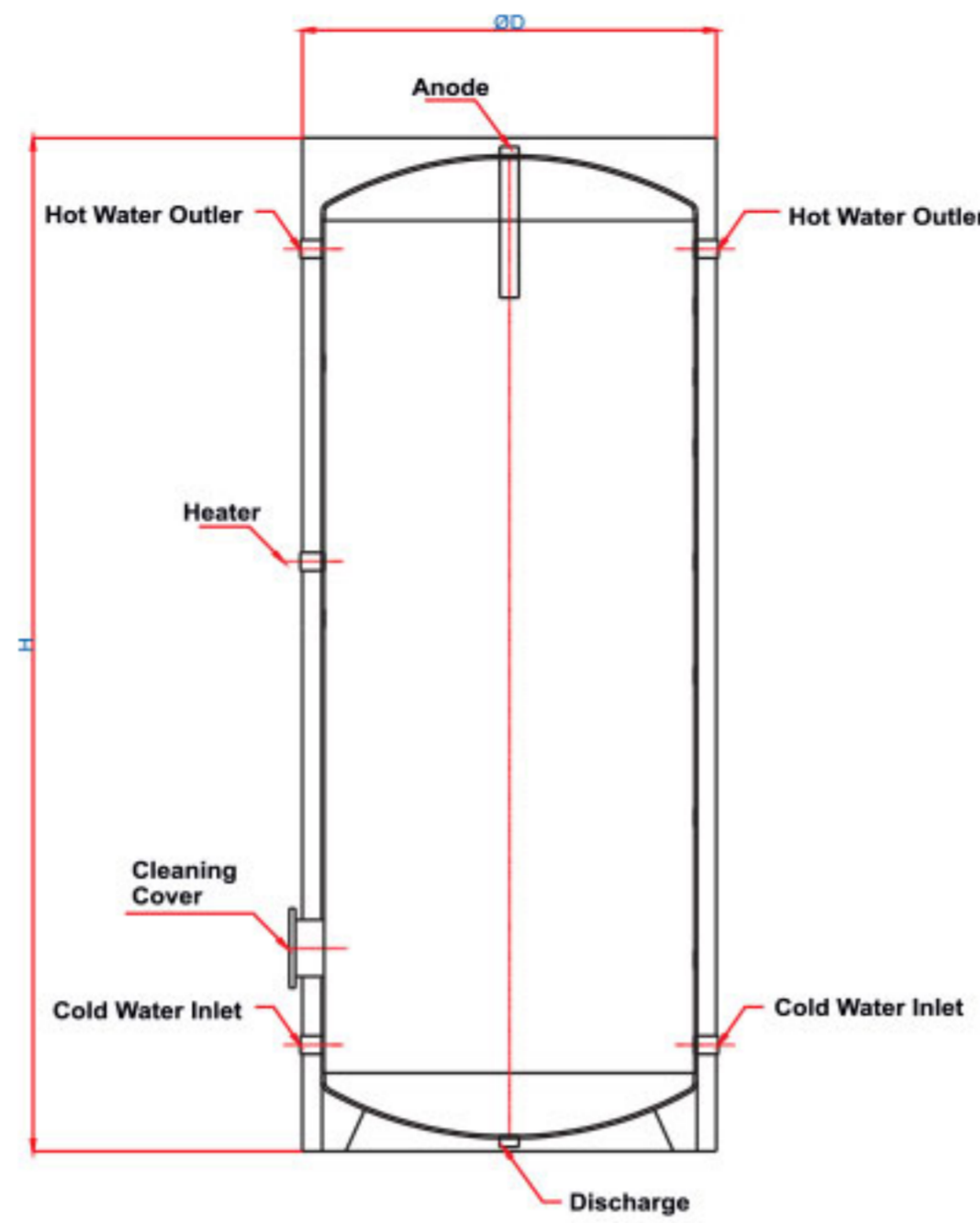
Accumulation Tanks & Electrical Water Heaters

Unmak UAT series accumulation tanks are designed for storage purpose of hot water from central heating system, floor heating system, geothermal or solar energy heating system by keeping the heat loss in minimum. Heating element installation is available for water heating purpose.

- Vertical type and compact design.
- Hygienic enameled inner tank.
- Polyurethane insulation, electrostatic paint or vinyl application on outer sheet metals.
- Cathodic protection with magnesium anode.
- Maximum operating pressure 8 bar.

TECHNICAL SPECIFICATIONS										
MODEL- SERIES		ÜAT-100	ÜAT-160	ÜAT-200	ÜAT-325	ÜAT-500	ÜAT-750	ÜAT-1000	ÜAT-1500	ÜAT-2000
Body Volume	lt	100	160	200	325	500	750	1000	1500	2000
Body Diameter	mm	470	540	630	720	930	1050	1200		
Total Height	mm	1050	1230	1480	1630	1870	1530	1930	2230	
Thermostat Muff	R"	1/2"								
Heater Muff	R"	2"								
Domestic Water Inlet/Outlet	R"	3/4"			1"			1"		
Closed Circuit Inlet/Outlet	R"	1"			1 1/4"					
Circulation Muff	R"	3/4"			1"			5"		
Cleaning Channel	R"	4"			1"					
Magnesium Anode	R"	1 1/4"								
Weight	kg	65	95	100	130	205	330	400	510	580
Isulation Type		PU								

The right to make changes in dimension is reserved.



“Alternative solutions for hot water supply”

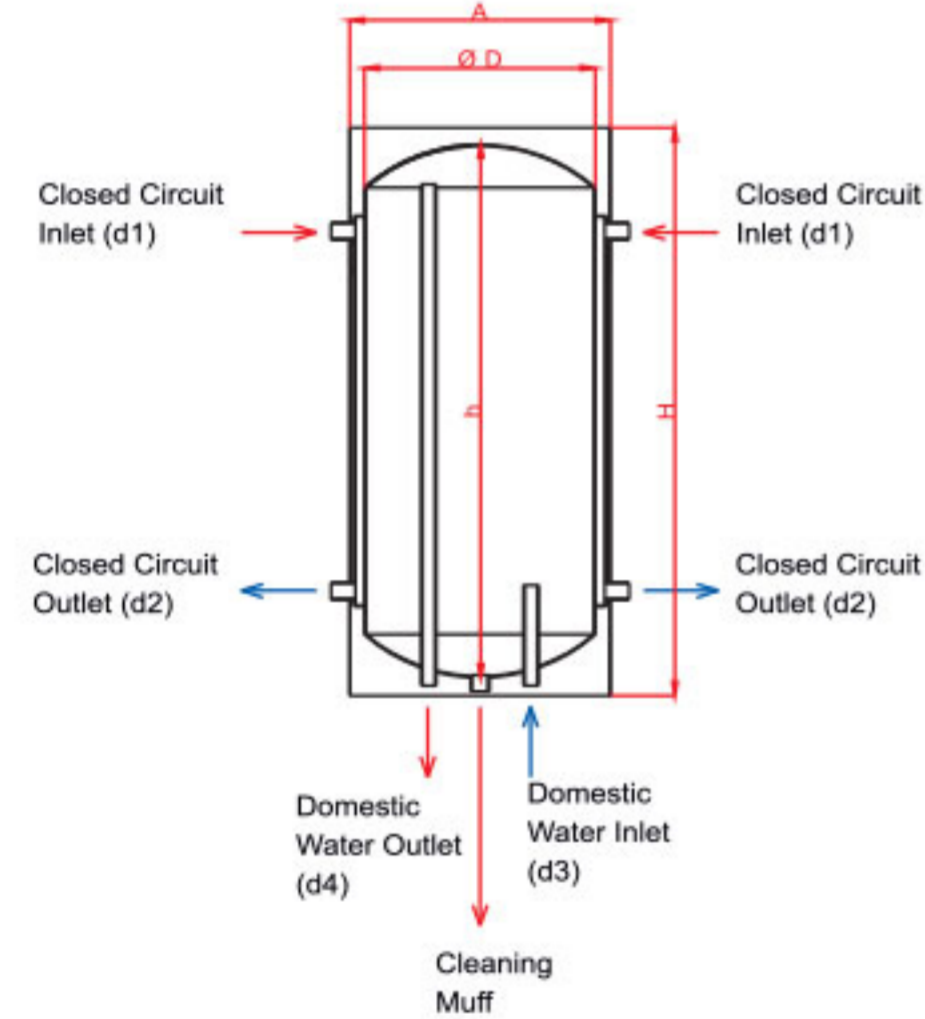


Hot Water Storage Tanks



Water Heater and Instantaneous Water Heater

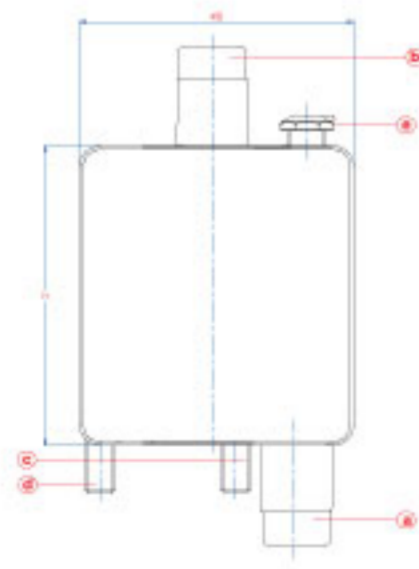
Unmak UKB series floor water heaters are designed for hot water supply where central heating systems, geothermal or solar energy heating system installed. Product has heating and water heating functions in the same time.



- Replaces radiators in bathroom and kitchen.
- Availability of combination with a separate installation in bathroom.
- Instantaneous water heater supply.
- Economical hot water supply.
- Safety valve to prevent instant pressure increase.
- Maximum operating pressure 6 bar.

DIMENSIONS		
MODEL- SERI	UKB	60 LT
BODY DIAMETER	Ø D (mm)	330
BODY HEIGHT	h (mm)	750
TOTAL HEIGHT	H (mm)	850
WIDTH	A (mm)	360
LENGHT	(mm)	300
CLOSED CIRCUIT INLET	Ød1	3/4"
CLOSED CIRCUIT OUTLET	Ød2	3/4"
DOMESTIC WATER INLET	Ød3	1/2"
DOMESTIC WATER OUTLET	Ød4	1/2"

ÜNMAK ÜASI series instantaneous water heaters supply domestic hot water by installation on boiler's outlet.



- a- Closed circuit inlet
- b- Closed circuit outlet
- c- Domestic water inlet
- d- Domestic water outlet
- e- Air purge

TECHNICAL SPECIFICATIONS			
MODEL- SERIES		ÜASI/25-45	ÜASI/60-100
Capacity	lt/h	450	600
	Kcal/h	16.000	24.000
Body Diameter (ØD)	mm	150	220
Total Height (H)	mm	220	
Closed Circuit Inlet (a)	R"	1"	1 1/2"
Closed Circuit Outlet (b)	R"	1"	1 1/2"
Domestic Water Inlet (c)	R"	1/2"	
Domestic Water Outlet (d)	R"	1/2"	
Air Purge Muff (e)	R"	1/2"	
Serpentine Heating Surface	m ²	0,29	0,52
Closed Circuit Working Pressure	bar	3	
Domestic Water Working Pressure	bar	8	

“Feel the heat...”



+90 444 35 32

Org. San. Böl. 8 Eylül Mah. Ötetyaka Mevkii Anızcaya Yolu üzeri No:51 • Fax: +90 232 469 24 12 Kemalpaşa / İZMİR

www.unmak.com • export@unmak.com

ÜNLÜSOY
Sanayi ve Tic. Ltd. Şti.



